

Nittan Company, Ltd OIB/OKB Smoke Detectors & CPC-2 Controller



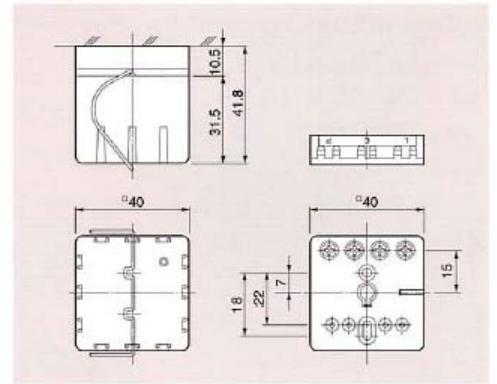
Compact Size, High Sensitivity and Reliability You Can Count On

Within the semiconductor and computer manufacturing industries the need exists for smoke detection products that provide high sensitivity in high airflows, and in a small, compact design, allowing for installation in tight tool and enclosure spaces.

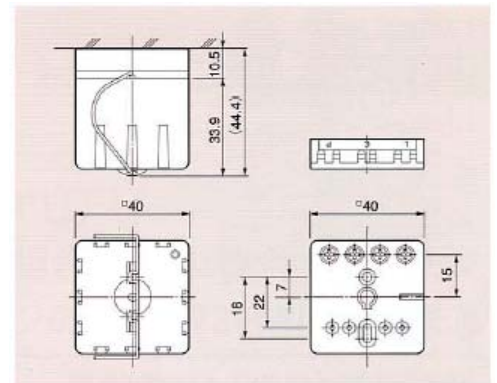
The OIB and OKB range of smoke detectors from Nittan Company Ltd. is designed to offer a unique solution for this requirement. Providing the smallest footprint in the industry, the OIB Ionization Smoke Detector and the OKB Photoelectric Smoke Detector are the ideal solution for high sensitivity, high airflow smoke detection in tight spaces. Multiple OIB and OKB Smoke Detectors are monitored by the CPC-2 Control Panel, offering a compact, modular control package. The CPC-2 Controller provides relay outputs, along with audible and visual alarms when a single or multiple smoke detectors are in alarm.

OIB & OKB Smoke Detector

Compact, High Sensitivity Photoelectric and Ionization Smoke Detectors for Computer/Semiconductor Applications



OIB Ionization Smoke Detector



OKB Photoelectric Smoke Detector

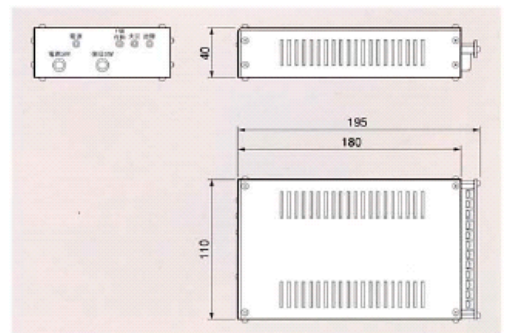
- OIB Ionization Smoke Detector
- OKB Photoelectric Smoke Detector
- High sensitivity for early detection
- Compact design allows installation in tight spaces
- Designed to operate in high ventilation areas
- Up to 65 degree C operating temperature
- Easy to see LED indication
- 2-wire polarized wiring reduces installation cost
- Robust black polycarbonate housing
- Low power consumption
- Designed for use with CPC-2 Control Panel

CPC-2 Smoke Detector Control Panel

Monitoring and Alarming Capability For Up To 20 OIB or OKB Smoke Detectors



- Compact design allows installation in tight spaces
- Available for 24VDC, 110VAC or 100 VAC operation
- Green, yellow and red LED status indicators
- Dual tone audible alarm
- Relay output for (1) detector in alarm
- Relay output for (2) detectors in alarm
- Relay output for fault condition
- 2-wire polarized wiring reduces installation cost



CPC-2 Smoke Detector Controller

Distributed by: **Detection & Measurement Systems, Inc.**

10101 Southwest Freeway
Suite 400
Houston, TX 77074
Phone: 713-541-9800
info@detect-measure.com
www.detect-measure.com